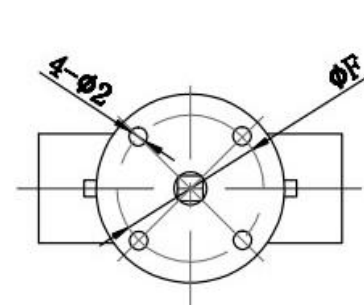


Wafer Type Butterfly Valve

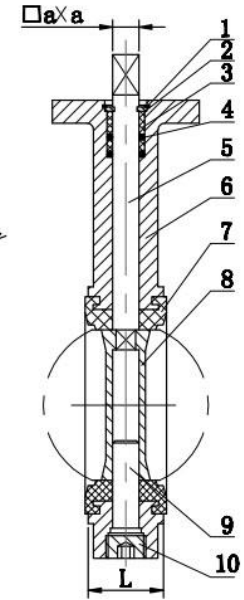
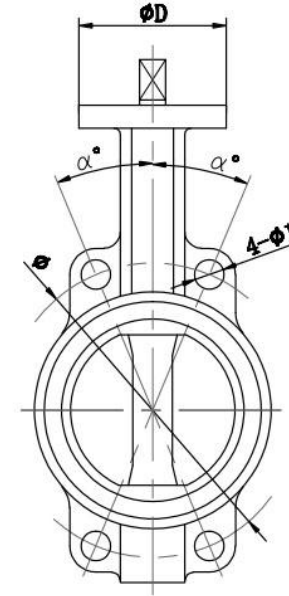


| NO. | Part | Material |
|-----|------------|-----------------------|
| 1 | Circlip | 65MN |
| 2 | Lock Piece | Steel |
| 3 | Sleeve | PTFE |
| 4 | O-ring | NBR |
| 5 | Shaft | SS304 |
| 6 | Body | GG25/GGG40 |
| 7 | Seat ring | NBR/EPDM |
| 8 | Disc | GGG40/Stainless steel |
| 9 | Shaft | SS304 |
| 10 | Screw | Steel |



DESCRIPTION

- Working pressure: 1.0/1.6Mpa
- Working temperature:
NBR: 0°C ~ +80°C
EPDM: -10°C ~ +120°C
- Face to face: DIN3202K1
- Flange connection according to DIN2501 PN10/16, BS4504
PN10/16, BS10 TABLE D/E, JIS2220 10K/16K, ANSI 125/150 etc.
- Testing: DIN3230, API598
- Medium: Fresh Water, Sea Water, Food Stuff, All kinds of Oil etc.



| SIZE | 2" | 2 1/2" | 3" | 4" | 5" | 6" | 8" | 10" | 12" |
|------|-----|--------|-------|-------|-------|-------|-------|-------|-------|
| ΦD | 90 | 90 | 90 | 90 | 90 | 90 | 90 | 125 | 125 |
| ΦF | 70 | 70 | 70 | 70 | 70 | 70 | 70 | 102 | 102 |
| 4-Φ2 | 9 | 9 | 9 | 9 | 9 | 9 | 9 | 11.5 | 11.5 |
| L | 42 | 44 | 48 | 52 | 56 | 56 | 60 | 68 | 78 |
| □a×a | 9×9 | 9×9 | 11×11 | 12×12 | 14×14 | 14×14 | 17×17 | 20×20 | 22×22 |