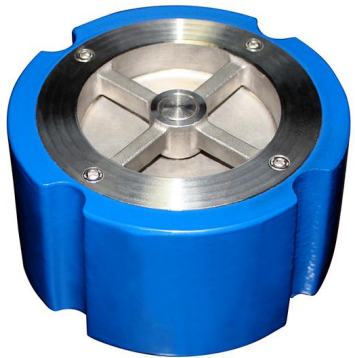
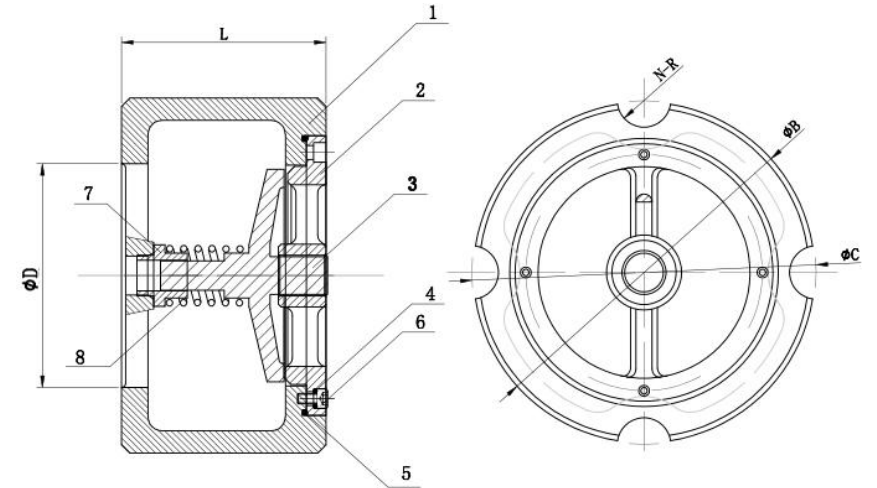


# Wafer Silent Check Valve



NO.	Part	Material
1	Body	GG25/GGG40
2	Guide	SS304/SS316
3	Disc	SS304/SS316
4	O-ring	NBR/EPDM
5	Seat ring	NBR/EPDM
6	Bolts	SS304/SS316
7	Sleeve	SS304/SS316
8	Spring	SS304/SS316



## DESCRIPTION

1. Working pressure: 1.0/1.6Mpa
2. Working temperature:  
NBR: 0°C ~ +80°C  
EPDM: -10°C ~ +120°C
3. Flange according to ANSI 125/150
4. Face to face: ANSI 125/150
5. Testing: API598
6. Medium: Fresh Water, Sea water, all kinds of oil, acid, alkaline liquid etc.

DN(mm)	50	65	80	100	125	150	200	250	300
L (mm)	67	73	79	102	117	140	165	210	286
ΦD(mm)	59	80	84	112	130	164	216	250	300
ΦB (mm)	108	127	146	174	213	248	340	406	482