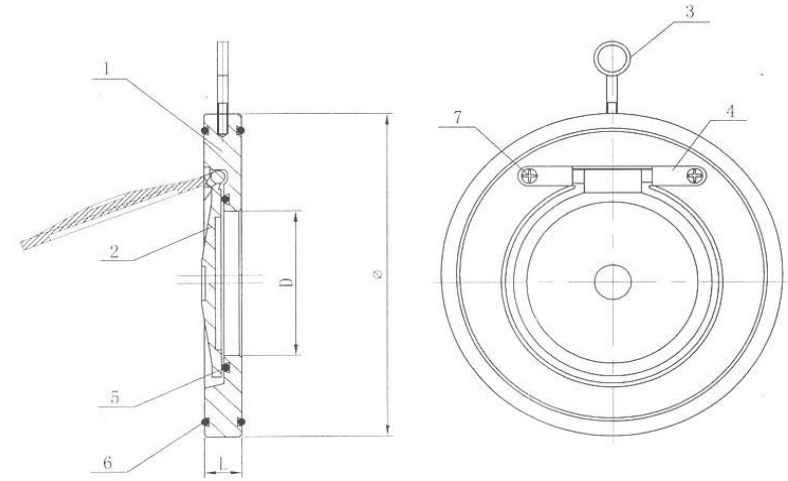


Thin Single Disc Swing Check Valve



NO.	PART	MATERIAL
1	Body	SS304/SS316/WCB
2	Disc	SS304/SS316/WCB
3	Ring	Steel
4	Baffle	SS304/SS316/WCB
5	O-Ring	NBR/EPDM/VITON
6	O-Ring	NBR/EPDM/VITON
7	Bolt	SS304/SS316/WCB



DESCRIPTION

1. Working pressure: 1.0Mpa/1.6Mpa/2.5Mpa/4.0Mpa
2. Working temperature:
NBR: 0°C ~ +80°C
EPDM: -10°C ~ +120°C
VITON: -20°C ~ +180°C
3. Face to face according to DIN, ANSI
4. Flange according to EN1092-2, ANSI 125/150 etc.
5. Testing: DIN3230, API598
6. Medium: Fresh Water, Sea water, food stuff, all kinds of oil, acid, alkaline liquid etc.

DN(mm)		25	32	40	50	65	80	100	125	150	200	250	300	350	400	450	500	600
Φ(m m)	PN10	71	82	92	107	127	142	162	192	218	273	328	378	438	489	532	585	690
	PN16	71	82	92	107	127	142	162	192	218	273	329	384	444	491	550	610	724
D(mm)		11.5	17	22	32	40	54	70	92	114	154	200	235	280	316	360	405	486
L(mm)		14	14	14	14	14	14	18	18	20	22	26	28	38	44	50	56	62