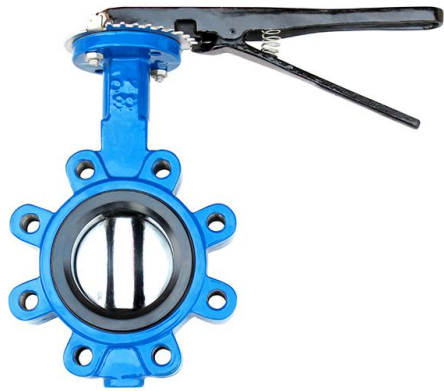
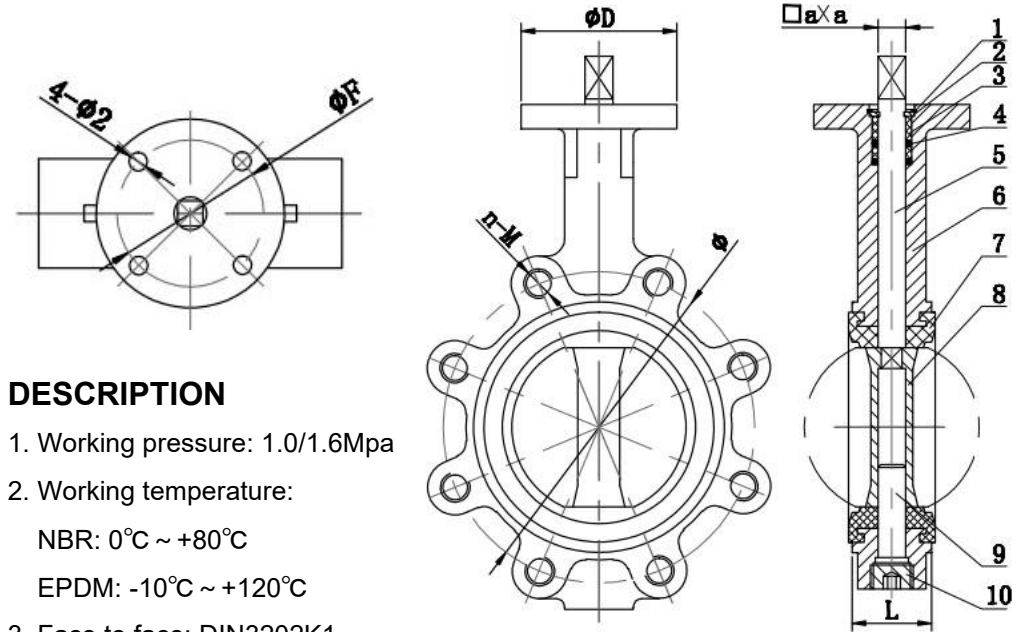


Lug Type Butterfly Valve



NO.	Part	Material
1	Circlip	65MN
2	Lock Piece	Steel
3	Sleeve	PTFE
4	O-ring	NBR
5	Shaft	SS304
6	Body	GG25/GGG40
7	Seat ring	NBR/EPDM
8	Disc	GGG40/Stainless steel
9	Shaft	SS304
10	Screw	Steel



DESCRIPTION

- Working pressure: 1.0/1.6Mpa
- Working temperature:
NBR: 0°C ~ +80°C
EPDM: -10°C ~ +120°C
- Face to face: DIN3202K1
- Flange connection according to EN1092-2, ANSI 125/150 ect.
- Testing: DIN3230, API598
- Medium: Fresh Water, Sea Water, Food Stuff, All kinds of Oil etc.

SIZE	2"	2 1/2"	3"	4"	5"	6"	8"	10"	12"
ΦD	90	90	90	90	90	90	90	125	125
ΦF	70	70	70	70	70	70	70	102	102
4-Φ2	9	9	9	9	9	9	9	11.5	11.5
L	42	44	48	52	56	56	60	68	78
□a x a	9 x 9	9 x 9	11 x 11	12 x 12	14 x 14	14 x 14	17 x 17	20 x 20	22 x 22